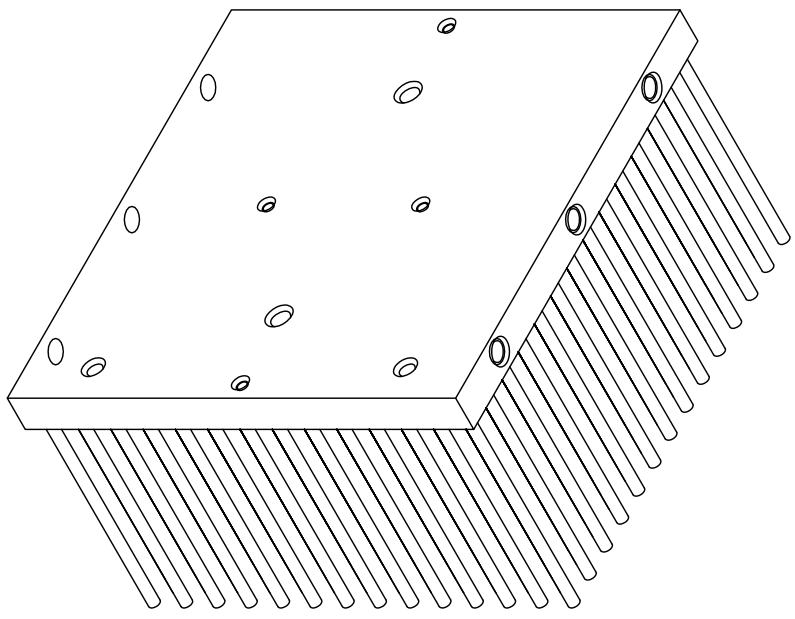
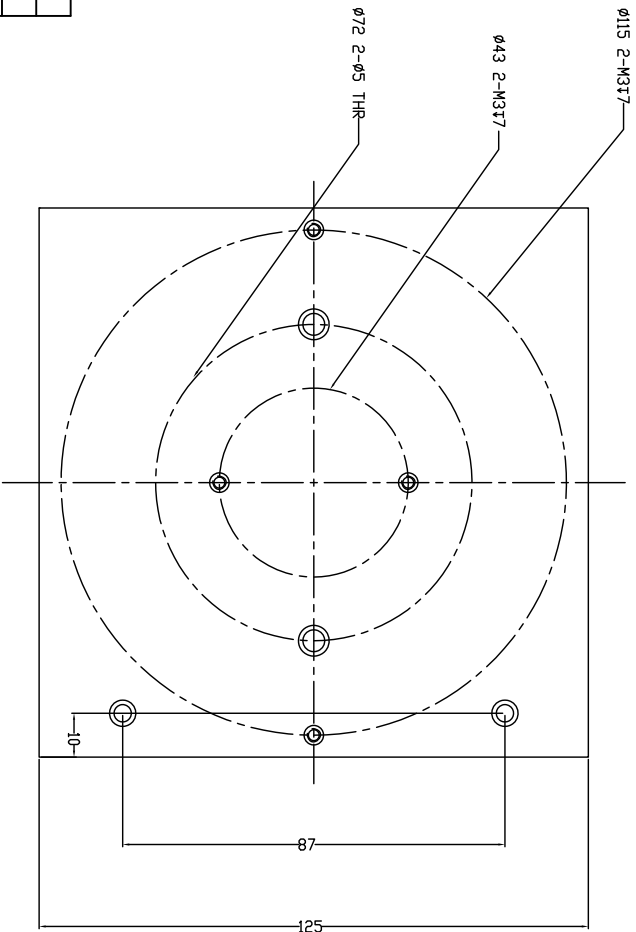
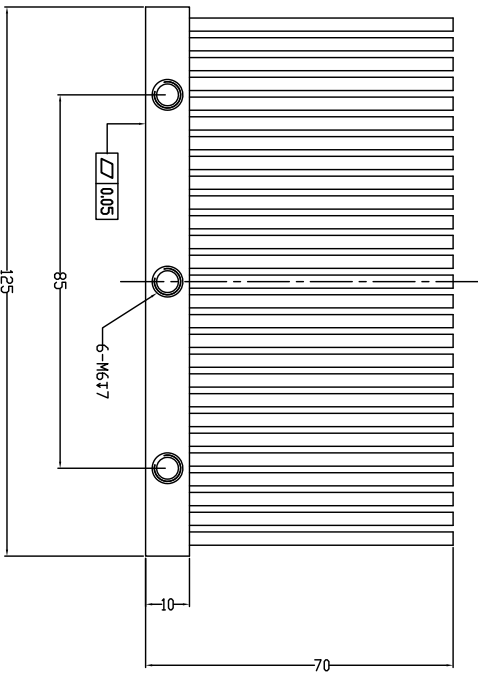


A B C D E F

REV	Revision Note	Date
0		
1		
2		



Dimension classification
* Critical

TOLERANCE TABLE

TOL GRADE	■	□	□
0~25	±0.10	±0.20	±0.50
25~80	±0.15	±0.30	±1.00
80~250	±0.20	±0.50	±2.00
250~	±0.30	±0.80	±3.00
ANGLE	±0.50°	±1.00°	±1.50°

NOTES:
1. NO ALLOWED ON THE SURFACE FOR SCRATCH AND BURR.
2. CRITICAL DIMENSION DEFINED WITH TOLERANCE.
3. DEBURR ALL EDGES.

Ren Xin-Seiko Industry Co., LTD

P/N	*****	Drawing NO.	*****
Material	AL1070(99.5%)	Customer	PN125-125_VER029 SE
Finish	Black anodize	Drawn	Kevin
Weight	0.83KG	Rev	A0
Units	mm	Scale	N.T.S
Sheet	1 of 1	Projection	1st Angle
		Checked	
		Approved	
		Date	

4 3 2 1 4 3 2 1 4 3 2 1 4