



**LEAF5**

# MOBA 650W

## Series Specification



**L3-650BZ**

**The MOBA Series** is specially designed for commercial indoor horizontal and vertical growing environments, saving electric cost, releasing maximum PAR efficiency.



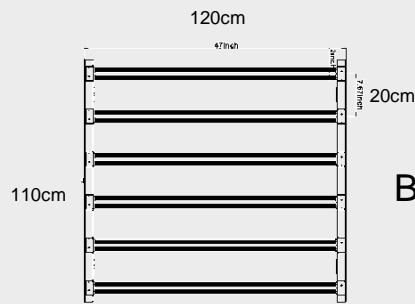


## Features

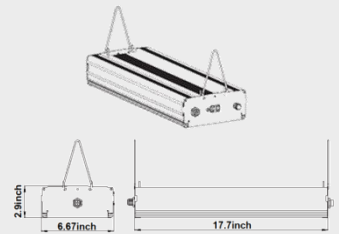
- ◆ Fanless Design
- ◆ SAMSUNG LEDs
- ◆ High efficacy up to 2.8 umol/J
- ◆ ETL, DLC, CE, RoHS Certificate
- ◆ IP65 Waterproof
- ◆ 0-10V/1-10V Dimmable
- ◆ 5 years warranty
- ◆ Can be disassembled for shipping, save more on shipping, easy to install .
- ◆ Slim design and easy install light bars
- ◆ Covering full-cycle growing stages
- ◆ Light bars and driver can be detached, produce much less heat when running.



## Dimension



Bar 6



Driver

## Applications for different growing stages

### Full-cycle



High even ppfd to maximize the yields, Meanwhile produces much less heat.

### Veg



Cool spectrum produces more blue color to help veggrow healthier and stronger.



# Technical Specification

Model	L3-650BZ
Actual Power	650w/6 bars
Spectrum	3500k+660nm
Efficacy	2.8 umol/J
PPF	1820 umol/s
Driver	INVENTRONICS
Input Voltage	AC 100-277V / 347-547V (customized) 50/60Hz
Power Factor	>0.9
Light Distribution	120°
Dimming Range	0-10V/1-10V
Dimension	47x43.4x1.9 inch
Lifespan	>50,000 Hours
CRI	>80
IP Rating	IP65
Certificate	ETL, cETL, DLC, CE, RoHS
ETL Certificate	Luminaires [UL 1598:2018 Ed.4] Luminaires [CSA C22.2#250.0:2018 Ed.4]
Warranty	2 Years Warranty

# Max Amperage

Model	650W
Amperage	5.91A@110V 2.71A@240V 2.35@277V





**PAR VALUE**

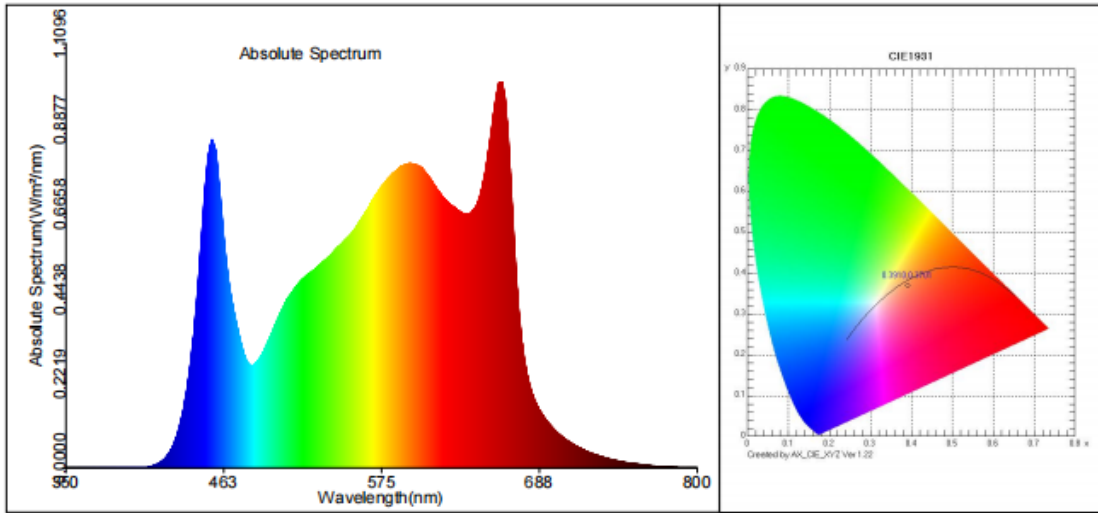
**Bar 6 650W SAMSUNG LED PPFD**

Height (inch)	4x4ft							
	3x3ft				2x2ft			
6 "	956	777	800	952	919	796	721	920
12 "	567	688	734	740	753	726	632	541
18 "	470	560	615	638	633	605	544	470
24 "	481	540	589	606	591	565	510	447
6 "	1237	1035	1091	1387	1419	1088	1034	1196
12 "	729	917	989	992	987	964	888	726
18 "	588	702	766	800	791	751	674	578
24 "	547	620	673	691	681	636	574	524
6 "	1222	1060	1163	1485	1456	1105	1061	1193
12 "	802	1016	1095	1117	1109	1086	1001	792
18 "	633	793	872	909	906	860	772	638
24 "	593	674	731	764	755	718	636	565
6 "	1305	1024	1103	1426	1418	1114	1040	1193
12 "	852	1060	1136	1149	1137	1110	1009	813
18 "	681	832	933	963	953	909	816	660
24 "	617	711	772	794	786	744	664	578
6 "	1247	1031	1064	1464	1430	1111	1027	1174
12 "	887	1081	1160	1174	1163	1135	1058	842
18 "	675	837	932	965	956	915	721	688
24 "	618	698	770	793	784	749	675	580
6 "	1220	1136	1137	1565	1511	1134	1093	1211
12 "	874	1054	1142	1150	1143	1112	1016	829
18 "	656	801	892	916	916	874	792	654
24 "	580	667	725	749	744	704	731	559
6 "	1220	1066	1140	1342	1421	1149	1081	1102
12 "	768	925	1011	1013	1028	999	891	734
18 "	573	700	777	813	805	768	697	612
24 "	502	577	633	654	657	621	574	519
6 "	759	695	670	839	834	764	743	741
12 "	571	695	740	756	768	746	693	561
18 "	478	539	614	647	630	591	547	473
24 "	425	466	510	537	532	503	464	438



# Spectrum

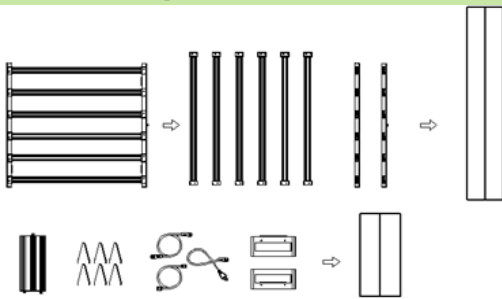
Full-cycle Spectrum suitable for VEG + Flower



◆ 3500k +660nm

◆ is most closed to the solar spectrum, range at 400-700nm, including all colors that plants need, and has more blue 400nm and red 660nm. 400nm blue light is suitable for cannabis veg stage, and 660nm is great for cannabis flower stage. So it is suiting for seedling grow and flowering, and unnecessary to use other leds.

## Package



Quantity	Package	dimension no foldable	Total G. Weight
6bars 1 unit	1 box	126x34x25 cm	16.5kg (36.4lbs)

## Warranty

Every horticulture lighting is engineered, built and tested by our great efforts and hand craftsmanship, we offer a 3-year warranty based on any non-artificial quality problems. Please contact supplier if meet any product failure unfortunately, providing evidences such as photos or videos would be appreciated and helpful.

