



**LEAF5**



# CAC

## L5-09 (For Greenhouse)

TECHNICAL DATASHEET

2022



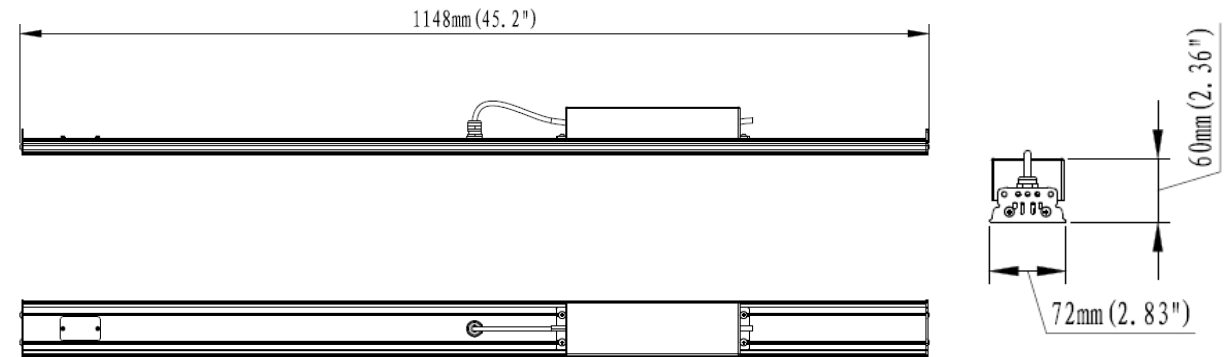
## Product features

Housing material	Aluminum
Optics materials	Conformal coating (transmission >97%)
Radiation angle	120°
Protection degree	IP65 (dust and watertight)

## Technical data

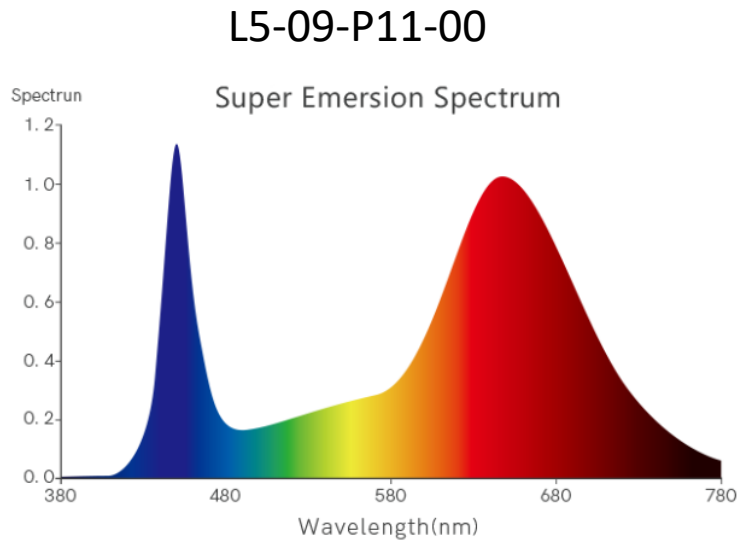
Power (±5%)	150W
Item No.	L5-09
System efficacy	2.46 umol/J @230Vac
PPF Output	300 umol/s
Power Input	100-277Vac,50-60Hz
Current Range	1.5A @ 100V, 0.54A @ 277V
Isolation Class	Class I
Heat BTU Generated	511.5 BTU
Power Factor	> 0.9
Dimming	0-10V
IP rating	IP65

## Drawing

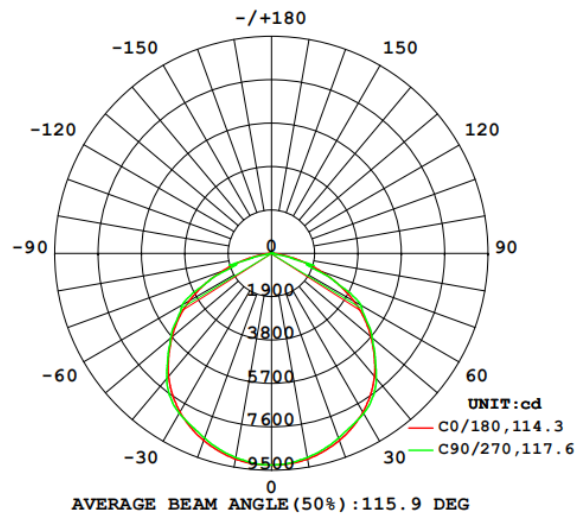


Dimensions	1148 x 72 x 60.4mm 45.2" x 2.84" x 2.38"
Net Weight	2.1±0.3kg/5.07±0.66lbs
Qty/CTN	1 pc
Gross Weight	3kg/6.6lbs
CTN SIZE	1195 x 130 x 120mm 47.5" x 5.1" x 4.7"
Operation conditions	0°C to 40°C / 32°F to 104°F (95% RH)
Storage conditions	-40°C to 70°C / -40°F to 158°F (85% RH)
Warranty	2 years

## CAC Spectrum Chart



## CAC IES Chart



## Accessories



Standard: 2\*V cords attach to 2\*rope ratchet

or



Optional: Ceiling mounting bracket \* 2 pcs

## Compliance

CE  
ETL  
Low Voltage Directive (LVD)  
Electromagnetic Compatibility Directive (EMC)  
Restriction of Hazardous Substances (RoHS) Directive

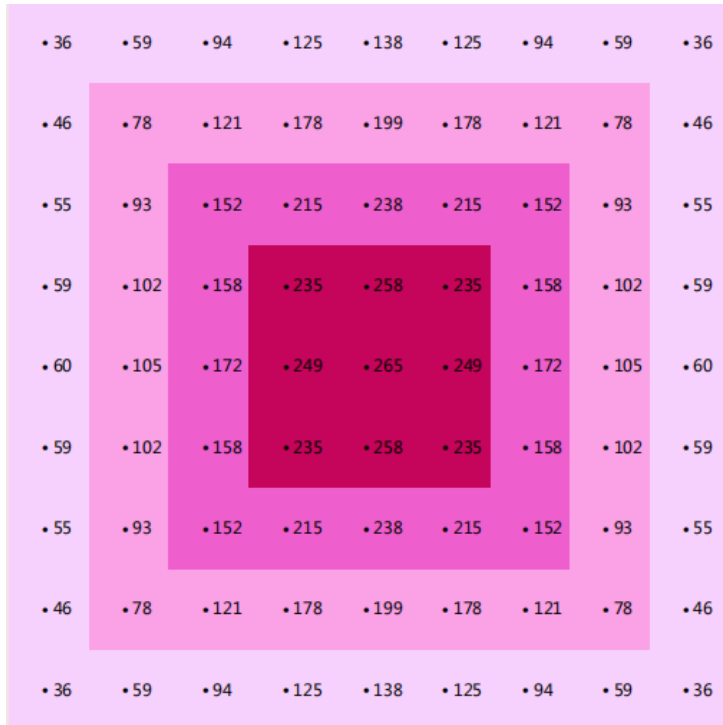
\* typical values for stable operation at 25° C / 77° F ambient temperature



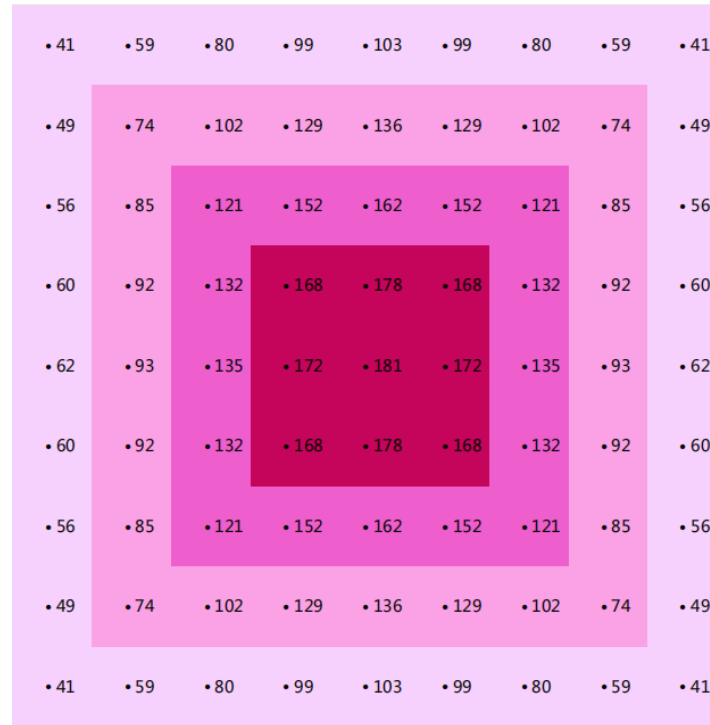
**LEAF5**

## PPFD map

150W 45cm/18"



150W 60cm/24"



**Spectrum:**

**L5-09-P11-00**

**Cover area:**

1.2m x 1.2 m / 4' x 4'

**Height fixture above canopy:**

45cm & 60cm / 18" & 24"

**1 fixture needed for:**

1.44 m<sup>2</sup> / 15.5 sqft

**PPFD value:**

150W 45cm/18"

150W 60cm/24"

Average: 128 μMol/m<sup>2</sup>/s

Average: 102 μMol/m<sup>2</sup>/s

Maximum: 265 μMol/m<sup>2</sup>/s

Maximum: 181 μMol/m<sup>2</sup>/s

Minimum: 36 μMol/m<sup>2</sup>/s

Minimum: 41 μMol/m<sup>2</sup>/s

Technical Datasheet Designed and produced in the LEAF5 Lighting Group. © 2022, LEAF5. All rights reserved.



**LEAF5**