



SIMULATED GEOGRAPHIC GROWLIGHT

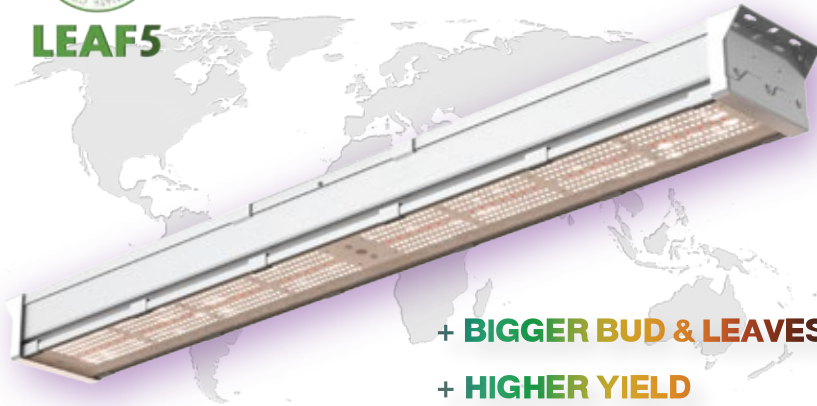
RAYE



INSPIRED BY ROBERT EMERSON

PRESENT RAYE GROW LIGHT

LEAF5



+ BIGGER BUD & LEAVES

+ HIGHER YIELD

FEATURED : "Excitement of the Emerson Effect"

Light Formula Booster+ (2022) PSI & II

RAYE's light spectrum and programable feeding schedule will enhance complex biological activities more than ever inside plant cell including Chlorophyll A&B, Cryptochromes, Carotenoids, Phytochrome Red & Far-Red, Phototropins.

Emerson effect was observed by Robert Emerson in 1957. It shows that photosynthesis proceeding very slowly when the light of 700-780 nm wavelength is used can be increased by illuminating with light of shorter wavelength i.e. 660 nm. So, Emerson effect is related to increase in photosynthesis when lights of two different wavelengths are provided together. The effect is also known as enhancement effect. It is evident of the presence of two Photosystems I and II working in harmony.

Programable Spectrum

The light controller is developed to focus on stability of real-time connection with our cloud service.

New LED chipset and Efficiency

At LEAF5, we are experiences in reserving and buying innovated led chips in this industrial since 2014. we carefully select only genuine, quality led chip that create most efficient yield from only authorized identity.

Less Heat & Energy Consumption

All light channels mimic the brightness of sunrise to sunset, with built-in auto adjustable function into the grow light. Resulted into Longer led life expectancy and energy saving per crop.

Datetime, Latitude and Longitude

Virtual Geographic Sunlight Algorithm (VGSA), our in-house algorithm software that simulates real-time calculation of sun path and solar irradiance on Earth surface at sea level.

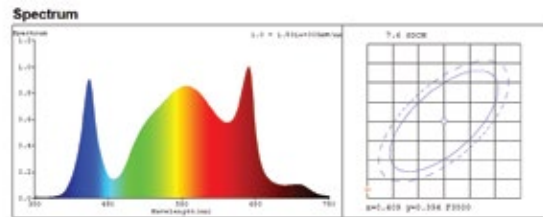
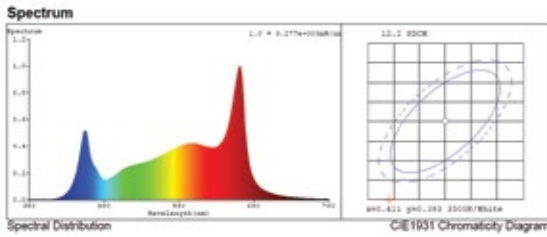
Warranty at our Heart & Soul

Since we already have shipped more than 1million horticultural led chips and provided our client professional warranty repair service across Thailand horticultural industry since 2014. That speak itself for our reputation and trust in this horticultural industry.





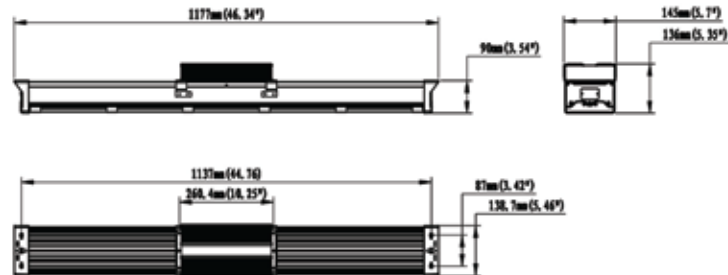
IP65
WATERPROOF



Product features

Housing material	Aluminum
Optics materials	High transmission glass (transmission >90%)
Radiation angle	120°
Protection degree	IP65 (dust and watertight)

Drawing



Technical data

Power	600W (±5%)
Item No.	HL06
System efficacy	2.4umol/J (±5%)
PPF Output	1440umol/s
Power Input	100-277Vac,50-60Hz
Current Range	6A @ 100V , 2.17A @ 277V
Isolation Class	Class 1
Heat BTU Generated	2046BTU
Power Factor	> 0.95
Dimming	0-10V

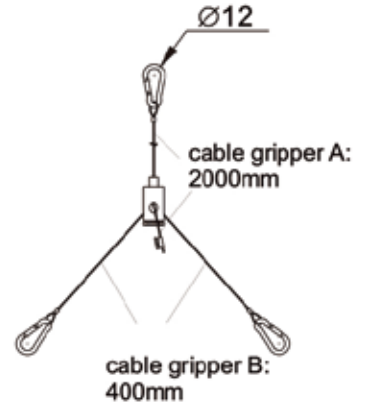
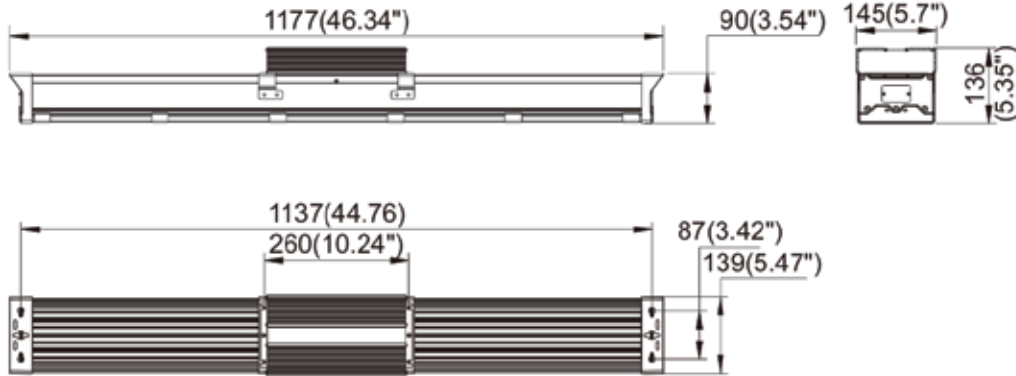
Dimensions	1177 x 145 x 136mm 46.34" x 5.7" x 5.35"
Net Weight	11.6 kg/25.7 lbs
Qty/CTN	1 pc
Gross Weight	12.68 kg/27.95 lbs
CTN Size	1340 x 195 x 200mm 52.76" x 7.7" x 7.9"
Operation conditions	0°C to 40°C / 32°F to 104°F (95% RH)
Storage conditions	-40°C to 70°C / -40°F to 158°F (85% RH)
Warranty	5 years



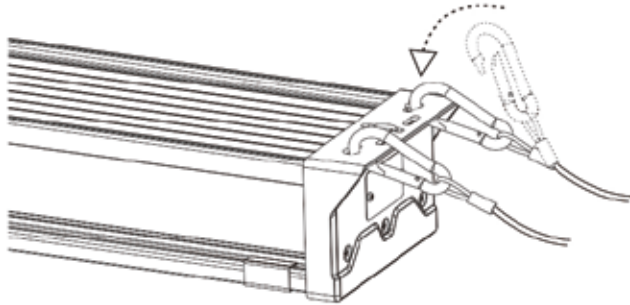
Installation Instructions

Wire Suspension Installation

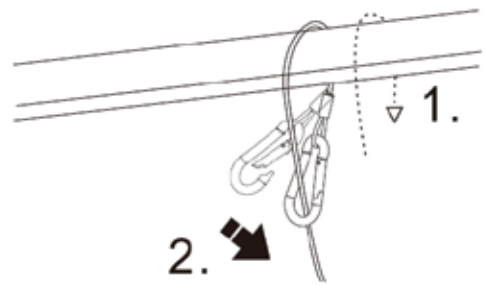
Physical Dimensions(mm/inch)



1.



2.



3.

